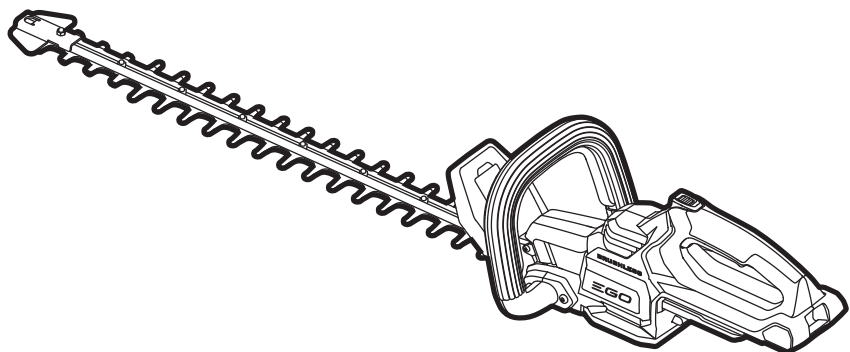


EGO™

POWER⁺ HEDGE TRIMMER

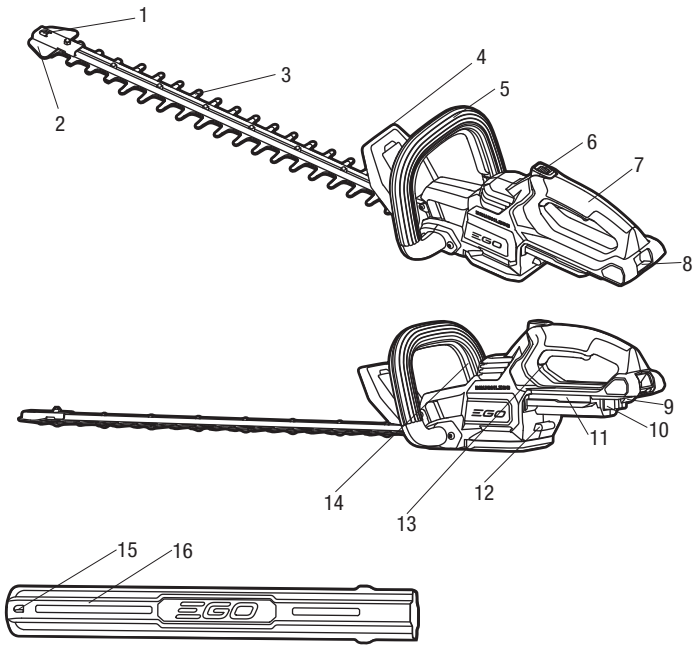


OPERATOR'S MANUAL

56 VOLT LITHIUM-ION CORDLESS HEDGE TRIMMER

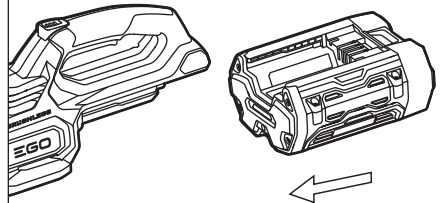
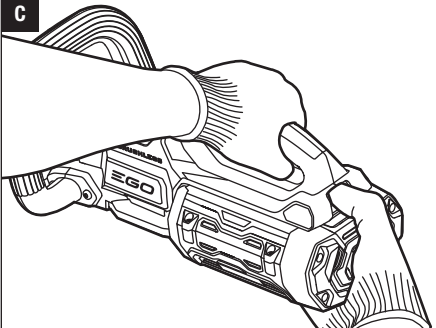
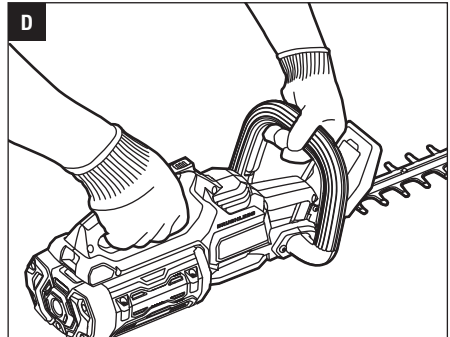
MODEL NUMBER HT2410E/HT2000E

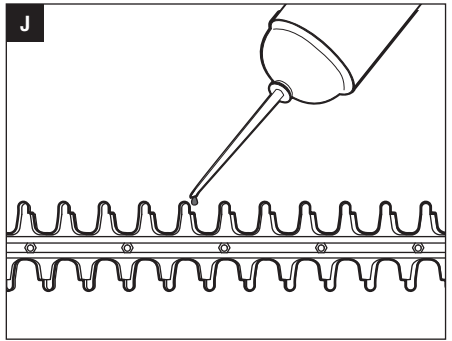
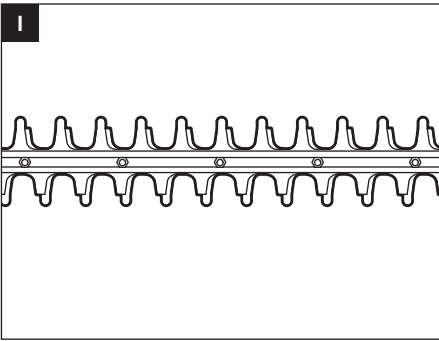
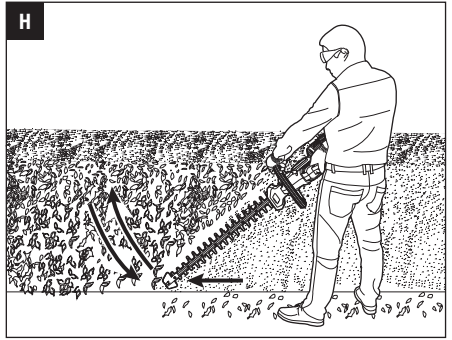
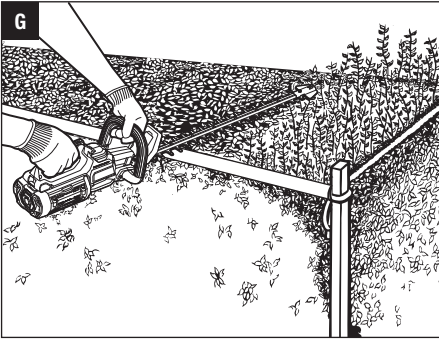
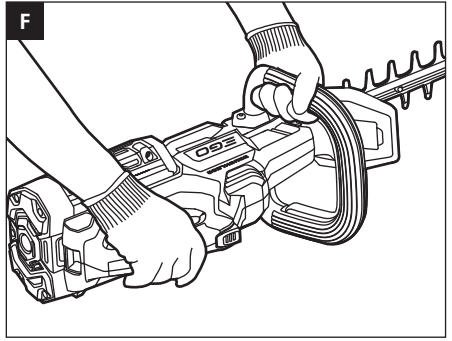
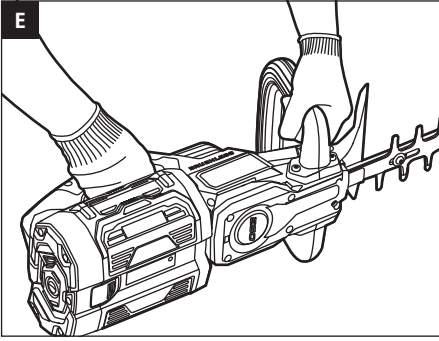
EN	56 Volt lithium-ion cordless hedge trimmer	4	SL	56-Voltni litij-ionski brezžični obrezovalnik žive meje	97
DE	56 Volt lithium-ionen kabellose heckenschere	9	LT	Akumulatorinės gyvatvorių žirkklės su 56 voltų ličio jonų akumuliatoriumi	102
FR	Taille-haie sans fil lithium-ion 56 v	15	LV	56 Voltu litija-jonu bezvadu dzīvžogu apgriešanas mašīna	107
ES	Cortasetos inalámbrico de 56 voltios con acumulador de ion de litio	21	GR	Ασυρματό θαμνοκοπτικό λιθίου - ιοντων 56 volt	112
PT	Corta-sebes sem fios com bateria de ião de lítio de 56 volts	27	TR	56 Volt litijum-iyon kablosuz çit düzeltici	118
IT	Tagliasiepi a batteria li-ion da 56 volt	33	ET	56-Voldise liitiumioonakuga juhtmeta hekilõikur	123
NL	56 Volt lithium-ion accuheggenschaar	39	UK	56-Вольтний літій-іонний акумуляторний тример для живоплоту	128
DK	Ledningsfri hækkeklipper med 56 volt litium-ion batteri	44	BG	56 Волта литиево-йонна безкабелна ножица за жив плет	134
SE	56 Volts litiumjonbatteri och sladdlös häcktrimmer	49	HR	Škare za živicu s litij-ionskom baterijom 56 v	140
FI	56 Voltin litium-ion-akkuikäyttöinen pensasleikkuri	54	KA	56 ვოლტის ლითონ-იონის აკუმულატორიანი უსადენო ბუჩქის საკრეჭი	145
NO	56 Volts litium-ion batteridrevet hekksaks	59	SR	Bežični trimer za živicu sa litijum-jonskom baterijom od 56 volti	152
RU	Беспроводной кусторез с литий-ионным аккумулятором 56 в	64	BS	Akumulatorske makaze za živicu s litij-ionskom baterijom od 56 V	157
PL	Bezprzewodowe nożyce do żywoplotu z baterią litowo-jonową 56 woltów	70	HE	חגום גדרות אלחוטי עם סוללות ליתיום-יון 56 וולט	163
CZ	56Voltové lithium-iontové akumulátorové plotové nůžky	76	AR	جهازة سياح لاسلكية بطارية ليثيوم-أيون 56 فولت	168
SK	56 Voltové litium-iónové akumulátorové nožnice na živý plot	81			
HU	56 Voltos vezeték nélküli litium-ion sövénynyíró	86			
RO	Trimmer fără fir de tuns gard viu cu acumulator de litiu ion de 56 volți	91			

A1**A2**

HT2410E ONLY: BA1120,
BA2240E, BA3360,
HT2410E/HT2000E: BA1400,
BA2800, BA4200, BA1400T,
BA2800T, BA4200T, BA5600T,
BA2240T

CH5500E,
CH2100E

**B****C****D**



EN READ ALL INSTRUCTIONS!



READ OPERATOR'S MANUAL

⚠ WARNING: Residual risk! People with electronic devices, such as pacemakers, should consult their physician(s) before using this product. Operation of electrical equipment in close proximity to a heart pacemaker could cause interference or failure of the pacemaker.

⚠ WARNING: To ensure safety and reliability, all repairs and replacements should be performed by a qualified service technician.

SAFETY SYMBOLS

⚠ WARNING: The operation of any power tools can result in foreign objects being thrown into your eyes, which can result in severe eye damage. Before beginning power tool operation, always wear safety goggles or safety glasses with side shields and a full face shield when needed. We recommend a Wide Vision Safety Mask for use over eyeglasses or standard safety glasses with side shields.



Safety Alert



Do not use in the rain or leave outdoors while it is raining.



This product is in accordance with applicable EC directives.



Wear Eye Protection!—Always wear safety goggles or safety glasses with side shields and a full face shield when operating this product.



The length of the blade

V Voltage

.../min Per Minute

cm Centimeter



To reduce the risk of injury, user must read the operator's manual.



Guaranteed sound power level. Noise emission to the environment according to the European community's Directive.



Waste electrical products should not be disposed of with household waste. Take to an authorized recycler.



Never attempt to operate your power tool with one hand. Loss of control of the power tool resulting in serious or fatal injury may result. To reduce the risk of cut injuries, keep hands and feet away from the cutting tool. Never attach a moving cutting tool with your hand or any other part of your body.



Max. Cutting capacity of the blade

≡ Direct Current

mm Millimeter

n_0 No Load Speed

SPECIFICATIONS

Model	HT2410E	HT2000E	
Voltage	56 V	56 V	
No-Load Speed	1500 /min	1500 /min	
Blade Length	61 cm	51 cm	
Cutting Capacity	26 mm	25 mm	
Weight (without battery pack)	3.1 kg	2.9 kg	
Recommended Operating Temperature	0°C-40°C	0°C-40°C	
Recommended Storage Temperature	-20°C-70°C	-20°C-70°C	
Measured sound power level L_{WA}	94.47 dB(A) K=1.5 dB(A)	91.24 dB(A) K=1.03 dB(A)	
Sound pressure level at operator's position L_{PA}	83.9 dB(A) K=3.0 dB(A)	80.62 dB(A) K=3.0 dB(A)	
Guaranteed sound power level L_{WA} (according to 2000/14/EC)	96 dB(A)	92 dB(A)	
Vibration a_n	Front Handle	1.8 m/s ² K=1.5 m/s ²	2.195 m/s ² K=1.5 m/s ²
	Rear Handle	1.7 m/s ² K=1.5 m/s ²	1.836 m/s ² K=1.5 m/s ²

- The declared vibration total value has been measured in accordance with a standard test method and may be used for comparing one tool with another;
- The declared vibration total value may also be used in a preliminary assessment of exposure.

NOTICE: The vibration emission during actual use of the power tool can differ from the declared value in which the tool is used; In order to protect the operator, user should wear gloves and ear protectors in the actual conditions of use.

PACKING LIST (FIG. A1)

DESCRIPTION

KNOW YOUR HEDGE TRIMMER (Fig. A1)

- Hanging hole
- Tip protector
- Blade
- Hand guard
- Front handle
- Lock-off button
- Rear handle
- Battery-release button
- Latch
- Electric contacts
- Battery-mounting slot
- Batter-ejection
- Rear switch lever
- Front switch lever
- Hanging hole
- Blade guard

⚠ WARNING: This product has been shipped completely assembled. The hand guard shall never be removed during use. Once damaged, replace it immediately by a qualified service technician.

⚠ WARNING: The safe use of this product requires an understanding of the information on the tool and in this operator's manual, as well as knowledge of the project you are attempting. Before use of this product, familiarize yourself with all operating features and safety rules.

OPERATION

⚠ WARNING: Do not allow familiarity with this product to make you careless. Remember that a careless fraction of a second is sufficient to inflict serious injury.

⚠ WARNING: Always wear eye protection with side shields, along with hearing protection. Failure to do so could result in objects being thrown into your eyes and other possible serious injuries.

⚠ WARNING: To prevent accidental starting that could cause serious personal injury, always remove the battery pack from the tool when assembling parts, making adjustments, cleaning, or when not in use.

⚠ WARNING: Do not use any attachments or accessories not recommended by EGO™. The use of attachments or accessories not recommended can result in serious personal injury.

Before each use, inspect the entire product for damaged, missing, or loose parts, such as screws, nuts, bolts, caps, etc. Tighten securely all fasteners and caps and do not operate this product until all missing or damaged parts are replaced.

APPLICATION

HT2410E: You may use this product for trimming the hedges, shrubs and bushes with a branch diameter of less than $\varnothing 26\text{mm}$ (HT2410E) / $\varnothing 25\text{mm}$ (HT2000E).

NOTICE: The tool is to be used only for its prescribed purpose. Any other use is deemed to be a case of misuse.

INSTALLING/REMOVING THE BATTERY PACK

Use only with battery packs and chargers listed in fig.A2.

Charge before first use.

To Install (Fig. B)

Align the battery ribs with the mounting slots and press the battery pack down until you hear a “click”.

To Remove (Fig. C)

Depress the battery-release button and pull the battery pack out.

WARNING: Always be aware for the location of your feet, children, or pets when pressing the battery-release button. Serious injury could result if the battery pack falls. NEVER remove the battery pack at a high location.

HOLDING THE HEDGE TRIMMER (Fig. D, E & F)

The unit has both a front and rear handle. With the blade directed away from you, hold the unit by both handles. The switch lever in the front handle can be activated on any of the three sides, giving you many choices for a comfortable grip when performing cutting operations.

WARNING: Always keep both hands on the hedge trimmer handles. Never hold shrubs with one hand while operating the hedge trimmer with the other hand. Failure to heed this warning may result in serious injury.

STARTING/STOPPING THE HEDGE TRIMMER

Before operating, remove the shield and hold the trimmer with both hands, one hand on the rear handle and the other on the front handle. Then check for stable footing, upright standing and a proper cutting distance.

To Start

1. Install the battery pack.
2. Depress and hold the switch lever in the front handle with one hand.
3. Press and hold the lock-off button with the thumb of your other hand, then squeeze the rear switch lever with your fingers to start the hedge trimmer. Release the lock-off button and continue to squeeze the trigger for continued operation.

To Stop

Move the hedge trimmer away from the cutting area and release the rear switch lever to stop the hedge trimmer.

WARNING: Always remove the battery pack from the hedge trimmer during work breaks and after finishing work.

USING THE HEDGE TRIMMER

WARNING: If the blade jams on any electrical cord or line, **DO NOT TOUCH THE BLADE! IT CAN BECOME ELECTRICALLY LIVE AND VERY DANGEROUS.** Continue to hold the hedge trimmer by the insulated rear handle or lay it down and away from you in a safe manner. Disconnect the electrical service to the damaged line or cord before attempting to free the blade from the line or cord. Failure to heed this warning will result in serious personal injury or possible death.

WARNING: Avoid trimming too much at one time or through the heavy shrubbery. This can cause the blades to bind and slow, reducing the cutting efficiency.

NOTICE: The trimmer shall be used to cut stems less than (26mm) thick.

NOTICE: For new growth, a wide sweeping is suitable for the stems fed directly into the cutting blade. For older growth, a sawing movement is good for trimming the thicker stems. A non-powered hand saw or pruning saw is suggested for trimming the large stems first.

Top Cutting

Use a wide sweeping motion. A slight downward tilt of the cutting blades in the direction of motion gives the best cutting results. For better cutting effect, you might as well use the string to guide the hedge level as Fig. G shown.

Side Cutting

When trimming the sides of the hedge, begin at the bottom and cut upwards as Fig. H shown. Trim the side of a hedge so that it will be slightly narrower at the top. This shape will expose more of the hedge to sunlight, resulting in a more uniform growth.

MAINTENANCE

WARNING: When servicing, use only identical replacement parts. Use of any other parts may create a hazard or cause product damage. To ensure safety and reliability, all repairs should be performed by a qualified service technician.

WARNING: To avoid serious personal injury, always remove the battery pack from the product when cleaning or performing any maintenance.

CLEANING

- Use a soft brush to remove debris from all air intakes and cutting blade.
- To remove pitch and other sticky residue, spray the blades with resin solvent. Run the motor briefly so that the solvent is evenly distributed.
- Wipe the surface with a dry cloth.

⚠ WARNING: Never use water for cleaning your trimmer. Avoid using solvents when cleaning plastic parts. Most plastics are susceptible to damage from various types of commercial solvents. Use clean clothes to remove dirt, dust, oil, grease, etc.

SHARPENING THE CUTTING BLADE

1. Start and stop your hedge trimmer until the cutter blade and the guard are slightly offset, as shown in Fig. I. This will allow clearance for the file between cutter teeth and guard teeth.
2. Remove the battery pack from your hedge trimmer.
3. Clamp the blade assembly in a vise and file the exposed cutting surface of each blade tooth. Remove as little material as possible. Be sure to retain the original angle of each tooth when filing.
4. Remove the hedge trimmer from the vise; restart it and stop it to expose the unsharpened edges of the blade teeth.
5. Remove the battery pack and repeat the sharpening procedure above.

NOTICE: Do not operate your hedge trimmer with dull or damaged cutting blades. This may cause overload and will give unsatisfactory cutting results.

LUBRICATING THE BLADE (Fig. J)

For best operation and longer blade life, lubricate the hedge trimmer blade with light weight machine oil before and after each use.

Remove the battery pack and lay the trimmer onto a flat surface. Apply the oil along the edge of the top blade.

NOTICE: For extended using period, oil the blade during cutting operation.

⚠ WARNING: Do not oil while the hedge trimmer is running.

TRANSPORTING AND STORING

- Always place the shield on the blade before storing or transporting the hedge trimmer. Use caution to avoid the sharp teeth of the blade.

- Clean the hedge trimmer thoroughly before storing.
- Store the hedge trimmer indoors, in a dry place that is inaccessible to children.
- Keep away from corrosive agents such as garden chemicals and deicing salts.

⚠ WARNING: Blades are sharp. When handling the blade assembly, wear non-slip, heavy-duty protective gloves. Do not place your hand or fingers between blades or in any position where they could get pinched or cut. NEVER touch blades or service the unit with battery pack installed.

Protecting the environment



Do not dispose of electrical equipment, used battery and charger into household waste! Take this product to an authorized recycler and make it available for separate collection. Electric tools must be returned to an environmentally compatible recycling facility.

PROBLEM	CAUSE	SOLUTION
Hedge trimmer doesn't work.	<ul style="list-style-type: none"> ■ The battery pack is not attached to the hedge trimmer. ■ No electrical contact between the trimmer and battery ■ The battery pack is depleted. ■ The battery pack is too hot. ■ The hedge trimmer is too hot. ■ The front and rear switch levers are not depressed simultaneously. ■ The blade is jammed. 	<ul style="list-style-type: none"> ■ Attach the battery pack to the hedge trimmer. ■ Remove battery, check contacts and reinstall the battery pack. ■ Charge the battery pack. ■ Remove the battery pack from the tool and allow it to cool until the temperature drops below 67°C. ■ Release both switch levers; allow the trimmer to cool until the temperature drops to normal temperature. ■ Press the lock-off button first and then press the switch levers in the front and rear handle simultaneously. ■ Remove the battery pack from the tool, remove the obstruction carefully, then reinsert the battery and restart the tool.
Excessive vibration or noise.	<ul style="list-style-type: none"> ■ Dry or corroded blades. ■ Blades or blade support is bent. ■ Bent or damaged teeth. ■ Loose blade bolts. 	<ul style="list-style-type: none"> ■ Lubricate the blades, following the section "LUBRICATING THE BLADE" in this manual. ■ Replace with a new blade or support. Contact EGO service center for blade or support replacement service. ■ Replace with a new blade. Contact EGO service center for blade replacement service. ■ Tighten the blade bolts. Using a wrench, turn the bolt clockwise to tighten.

WARRANTY

EGO WARRANTY POLICY

Please visit the website egopowerplus.com for full terms and conditions of the EGO Warranty policy.